

Digital indicator with relay outputs PMT-920

- ✓ Input Pt100, Pt500, Pt1000 or K, S, J, T, N, R, B, E
- ✓ 2 settable relay outputs: 1 A, 250 V AC
- ✓ Power supply 85...260 v AC/DC

Functions and use

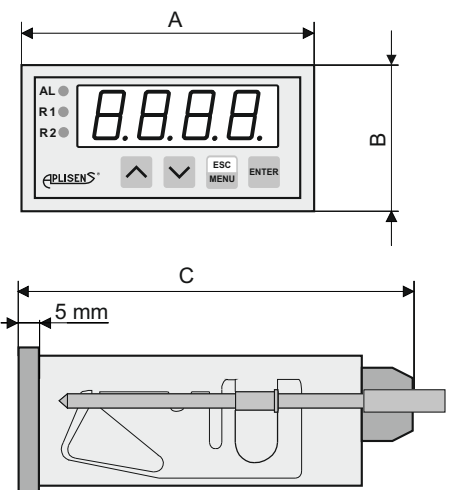
Programmable indicator PMT-920 is applicable to cooperation with the temperature sensors. Indicator works with resistance sensor Pt (PMT-920/R) or thermocouples type K, S, J, T, N, R, B, E (PMT-920/U). PMT-920/R can be connected with 2-, 3- or 4- wire sensors. Indicator recognize 3- and 4- wire sensors and compensate line resistance automatically. Two alarm values controlling the relay outputs can be programmed. Diodes on the front of the indicator indicate the exceeding of the alarm values. The relay outputs have a pair of operating contacts.

PMT-920 meters enables the following parameters to be programmed:

- ◆ level and hysteresis of action of relays;
- ◆ state of contact during alarm;
- ◆ password restricting access to the programming menu;
- ◆ display filtering level.
- ◆ color of display (green or red).



External dimensions



(A=72mm , B=36mm , C=100mm)
Dimensions of panel cut-out 67mm × 32,5mm

Input signal

Technical data

Pt100, Pt500, Pt1000 – PMT-920/R
K, S, J, T, N, R, B, E – PMT-920/U
-999 to 9999

Display range Indication range

Pt: -100...600°C
K: -200...1370°C
S: -50...1768°C
J: -210...1200°C
T: -200...400°C
N: -200...1300°C
R: -50...1768°C
B: 250...1820°C
E: -200...1000°C

Display error

0,25% ± 1 digit

Resolution

0,1°C for PMT-920/R
1°C for PMT-920/UR

Relay outputs

2
1 A, 250 V AC, cosφ=1

Power supply

85...260V AC/DC

Integrated power supply:

24 V DC stab., max. 100 mA

Operating temperature

0...50°C (special version -20...50°C)

Storage temperature

-10...70°C (special version -20...70°C)

Display size:

LED 4x13mm

Casing

panel type
IP 40 (from the front)
IP 20 (from the terminals)

EARTH SCIENCE SOLUTION CO.,LTD

Tel : 02-007 -8327 081-659-1403

Email : earthsci.info@gmail.com

Line : earthscisolution

Ordering procedure

PMT-920 / /

Input:
R - (Pt100, Pt500, Pt1000)
U - (K, S, J, T, N, R, B, E)

Special version:
-20°C - operating and storage
temperature starts from -20°C