



# Technical Data Sheet

## Electromagnetic Flow Meter



### Features

Electromagnetic Flow Meter Advantages and Disadvantages The main advantages of using electromagnetic flow meter is that it is with no moving parts, no pressure loss and require very less maintenance. Flange type magnetic flow meter can be made large size range from DN3-DN3000mm and with bi-directional flow measurement.

### Technical Data

**Size** DN3-DN3000mm

**Nominal Pressure** 0.6-1.6Mpa(2.5Mpa/4.0Mpa/6.4Mpa...Max 42Mpa)

**Accuracy** +/-0.5%(Standard) +/-0.3% or +/-0.2%(Optional)

**Liner** PTFE, Neoprene, Hard Rubber, EPDM, FEP, Polyurethane, PFA

**Electrode** SUS316L, Hastelloy B, Hastelloy C Titanium, Tantalum, Platinum-iridium

**Structure Type** Integral type, remote type, submersible type, ex-proof type

**Medium Temperature** -20~+60 degC

**Ambient Temperature** -20~+60deg C

**Ambient Humidity** 5-100%RH(relative humidity)

**Measuring Range Max** 15m/s

**Conductivity** >5us/cm

**Protection Class** IP65(Standard); IP68(Optional for remote type)

**Process Connection** Flange (Standard), Wafer, Thread, Tri-clamp etc

**Output Signal** 4-20mA/Pulse

**Communication** RS485(Standard), HART(Optional),GPRS/GSM (Optional)

**Power Supply** AC220V (can be used for AC85-250V)

DC24V (can be used for DC20-36V)

DC12V (optional), Battery Powered 3.6V (optional)

**Alarm** Upper Limit Alarm / Lower Limit Alarm

**Self-diagnosis** Empty Pipe Alarm, Exciting Alarm

**Explosion Proof** ATEX



# Technical Data Sheet

## Application



**Water Treatment**



**Food Industry**



**Pharmaceutical Industry**



**Petrochemical**



**Paper Industry**



**Chemical Monitoring**



**Metallurgical Industry**



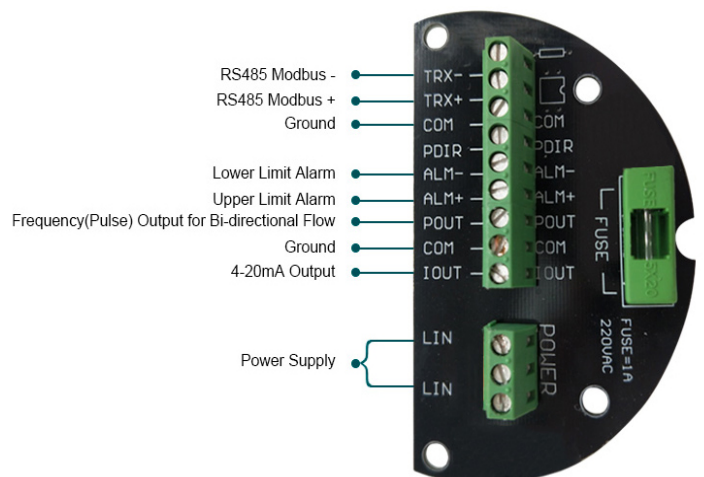
**Public Drainage**



**Coal Industry**

**Multiple Flow Units Selectable**

- Instantaneous Flow
- Flow Unit
- Flow Velocity (FLS)
- Flow Percentage (FQP)
- Ratio of Emptiness (MTP)
- Forward And Reverse Integated Volumes
- Forward/Reverse Flow Difference
- Alarm





# Technical Data Sheet

## Ordering Code

QTLD		XXX	X	X	X	X	X	X	X	X
<b>Caliber</b>	DN3mm-DN3000mm									
<b>Nominal Pressure</b>	0.6Mpa		1							
	1.0Mpa		2							
	1.6Mpa		3							
	4.0Mpa		4							
	Other		5							
<b>Connection Mode</b>	Flange connection			1						
	Clamp connection			2						
	Sanitary connection			3						
<b>Liner Material</b>	PTFE				1					
	PFA				2					
	Neoprenen				3					
	Polyurethane				4					
	Ceramic				5					
<b>Electrode Material</b>	316L					1				
	Hastelloy B					2				
	Hastelloy C					3				
	Titanium					4				
	Platinum-iridium					5				
	Tantalum					6				
	Stainless steel covered with tungsten carbide					7				
<b>Structure Type</b>	Integral type						1			
	Remote type						2			
	Remote type immerse						3			
	Integral type Ex-proof						4			
	Remote type Ex-proof						5			
<b>Power</b>	220VAC 50Hz							E		
	24VDC							G		
<b>Output communication</b>	Flow volume 4-20mADC/pulse								A	
	Flow volume 4-20mADC/RS232C communication								B	
	Flow volume 4-20mADC/RS485 communication								C	
	Flow volume HART output/with communication								D	
<b>Converter Figure</b>	Square									A
	Circular									B

EARTH SCIENCE SOLUTION CO.,LTD

Tel : 02-077 -8327

Email : earthsci.info@gmail.com

Line : earthscisolution