

Ultrasonic Level Transmitter up to 30 mt.

The level meters are suitable for the level of the non-contact measurement of liquids (aqueous solutions, sewage water, etc.), thick or solid material, in closed or open vessels, wells, reservoirs and open channels.

In measuring the level of bulk-solid material, the measurement range is reduced. The setting is done via three buttons in the upper sensor housing.

Characteristics of ultrasonic level transmitter;

- Suitable for continuous measurement of liquids (even if polluted), dense material or glues.
- Installation in open or closed tanks, wells, open channels, etc.
- They are produced in versions for safe areas, or for explosive areas.
- Current output 4 to 20 mA, HART, Modbus RS485
- Protected in the excessive voltage and current.
- Protected in the thunder and lightning.
- The big show window of LCD is easy to debug and observe;
- Over-voltage over-current protection, lightning protection.
- Advanced since the clamp type terminal, to ensure that wiring never loose.
- Intellectual signal treatment technology, guarantee that the instrument meets various kinds of operating occasion.
- All plastic probe, acid and alkali resistant, adapt to bad environment.



Technical specifications	Features
Measuring Range	0.2 ... 4 m (dead zone 0,20 m) 0.25 ... 6 m (dead zone 0,25 m) 0.3 ... 8 m (dead zone 0,30 m) 0.5 ... 12 m (dead zone 0,50 m) 0.8 ... 20 m (dead zone 0,80 m) 1,2 ... 30 m (dead zone 1,2 m)
Horn length	80 mm
Beam Angle	8°(3db)
Power Supply	24VDC (±10%) 30mA
Display / Display Resolution	4 digit LED / 1 mm
Signal output	4-20mA/24VDC/2 wire 4÷20mA/24V DC /HART 2 wire 4÷20mA/24VDC/RS485 Modbus 4 wire
Output load	0-500Ω
Temperature	-40+75°C
Process Pressure	±0.1MPa
Precision	0,2%
Temperature compensation	Automatic
Measurement Cycle	1,5 second
Casing	Aluminium
Energy Transducer Material	PVC (PTFE on request)
Process Connection	Thread 2" GM or flanged
Cable Entry/Sea	M20/PG13,5
Cable Diameter	6-12 mm
Version	Standard Type(Non ex-proof) Intrinsically safe (Exia IIB T6 Ga)
Degree of protection	IP67
1) For measurements of bulk-solid material level, the measurement range is reduced.	



RIL300 Selector

Measuring ranges

1	0,2÷4 m
2	0,25÷6 m
3	0,3÷8 m
4	0,5÷12 m
5	0,8÷20 m
6	1,2÷30 m

License

P	Standard Type(Non ex-proof)
I	Intrinsically safe (Exia IIB T6 Ga)

Energy Transducer Material/Process Temp./Protection Grade

A	ABS (-40-75°C) IP67
B	PVC (-40-75°C) IP67
C	PTFE (-40-75°C) IP67

Process Connection/Material

G	Thread G 2" A
A	Flange DN50 /PP

Electronic Unit

2	(4~20) mA / 24V DC / 2 wire
3	(4~20) mA / 24V DC / 2 wire HART
4	(4~20) mA / 24V DC / RS485 Modbus 4 wire
5	(4~20) mA / 24V DC / Alarm Output 4 wire

Shell / Protection Grade

L	Aluminium / IP67
---	------------------

Cable Entry

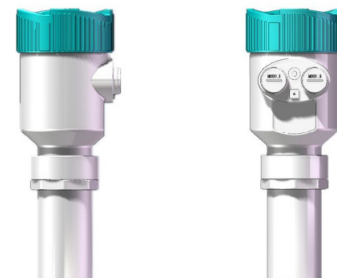
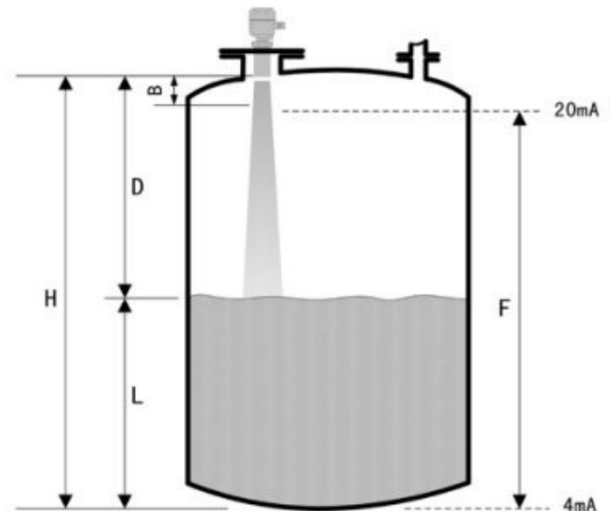
M	M20x1.5
N	½" NPT

Display

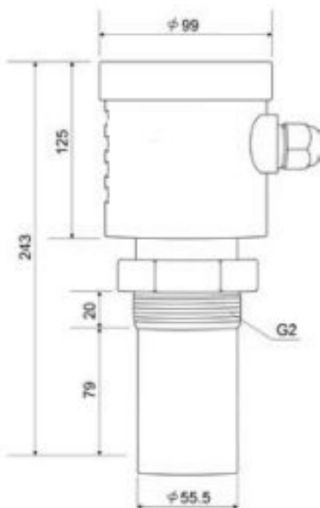
A	With Display
---	--------------

Example: RIL300-1-P-B-G-2-L-M-A

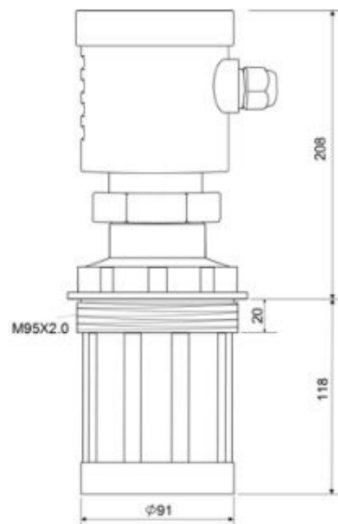
H Installation height
L Level value
D Distance value
B Blanking distance
F Level span



For tank up to 4/6/8 m



For tank up to 12/20/30 m



For tank up to 20/30 m

