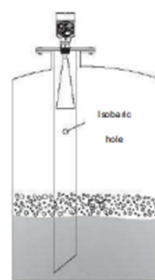
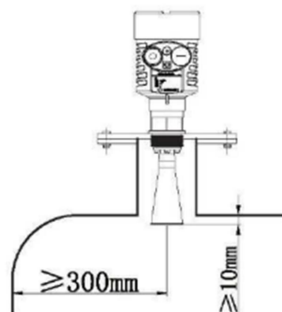


## TLR 92H

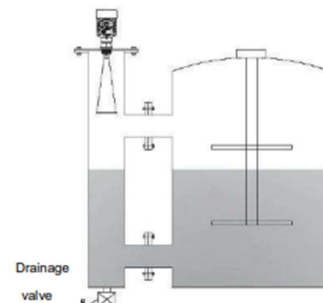
**Features:** High accuracy, strong strength of anti-interference, not affected by temperature, humidity, wind force and direction, easy installation and calibration, low power consumption.



- Application: Suitable for water level measurement and monitoring of lakes, reservoirs, rivers, open channels, and tidal level of oceans.
- Measuring range (maximum): 30m
- Process connection material: PP/ SS
- Medium temperature:  $-40^{\circ}\text{C} \sim +100^{\circ}\text{C}$
- Process pressure: ATM
- Antenna material: SS
- Accuracy:  $\pm 3\text{mm}$
- Frequency range: 26GHz
- Signal output: RS485/ Modbus
- Power supply: 6 to 24V DC
- Display: optional
- Backlight is available on request



For measurement with a wave guide pipe



For measurement with a by-pass pipe

The minimum distance between the symmetrical central line of the transmitter and the inner tank wall should be at least 300mm